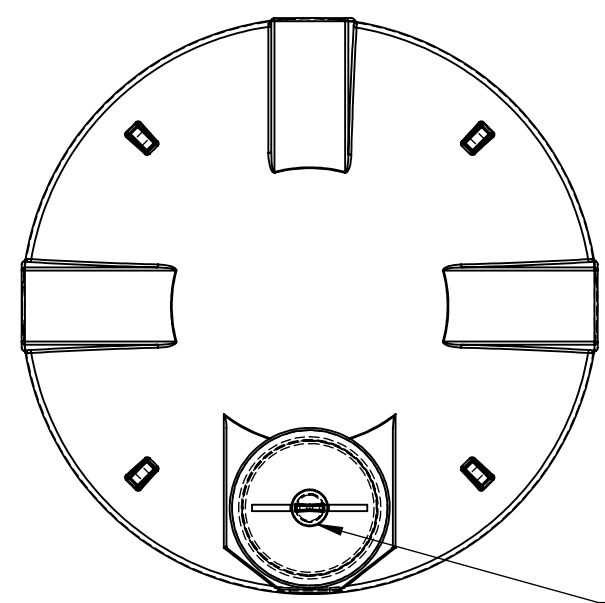


D
C
B
A

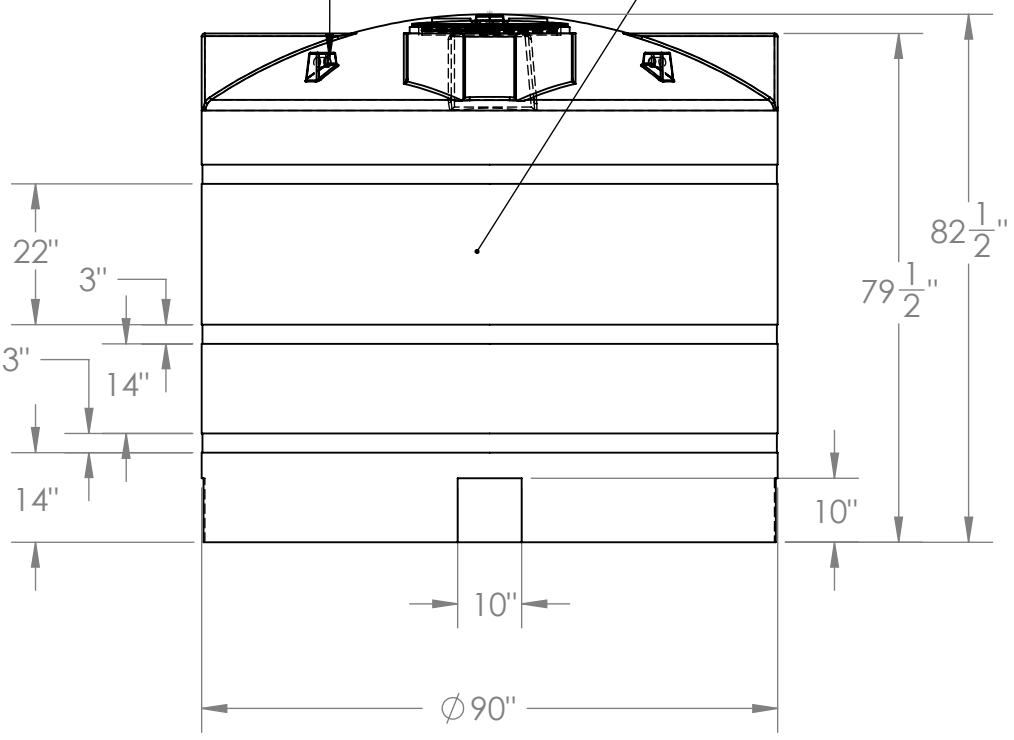
D
C
B
A



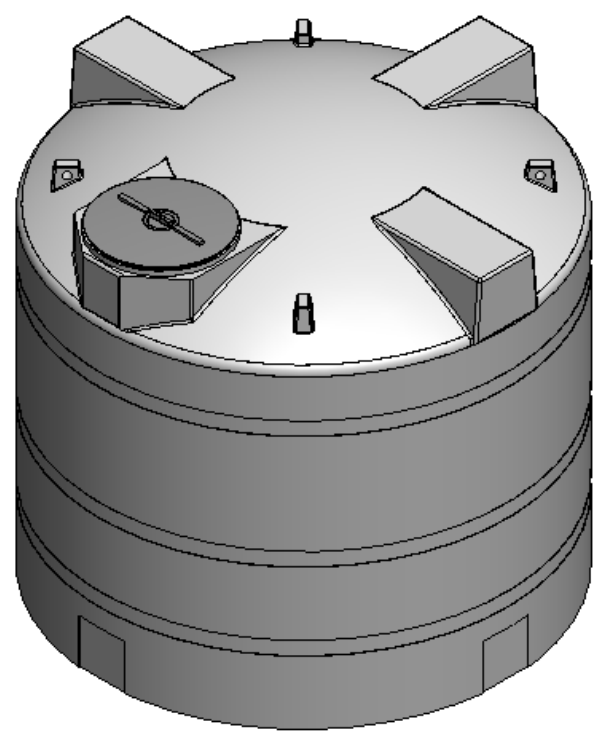
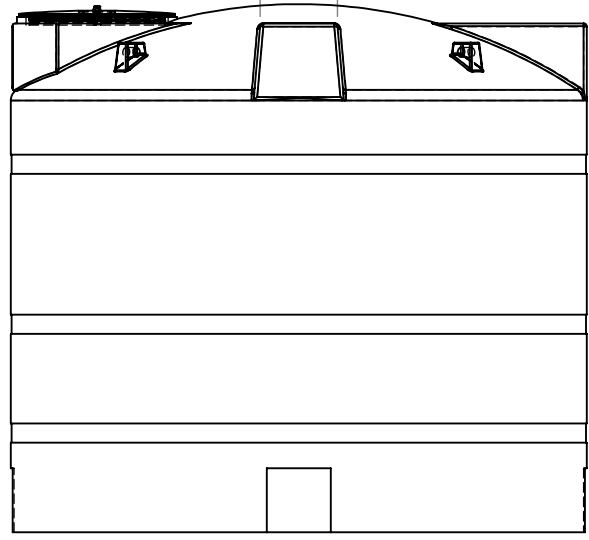
24" THREADED LID
W/4" BREATHER.

1 1/2" LIFTING
EYE (4) PLCS.

APPROX.
GALLON MARKINGS



12"



NOTES:

1. MATERIAL: POLYETHYLENE
2. WEIGHT: 425 LBS STD. RATED 1.5 SG
565 LBS HD. RATED 2.0 SG

PROPRIETARY AND CONFIDENTIAL
THE INFORMATION CONTAINED IN THIS
DRAWING IS THE SOLE PROPERTY OF
<INSERT COMPANY NAME HERE>. ANY
REPRODUCTION IN PART OR AS A WHOLE
WITHOUT THE WRITTEN PERMISSION OF
<INSERT COMPANY NAME HERE> IS
PROHIBITED.

		UNLESS OTHERWISE SPECIFIED:				CUSTOM ROTO-MOLDING, INC.	
		DIMENSIONS ARE IN INCHES		DRAWN	NAME	DATE	TITLE: 2000 GALLON TANK W/ 24" LID
		TOLERANCES:		CHECKED	EBW	3/3/09	
		FRACTIONAL ±		ENG APPR.			
		ANGULAR: MACH ± BEND ±		MFG APPR.			
		TWO PLACE DECIMAL ±		Q.A.			SIZE
		THREE PLACE DECIMAL ±		COMMENTS:			DWG. NO.
		INTERPRET GEOMETRIC TOLERANCING PER:					REV
		MATERIAL					B
		FINISH					2000 VT.
NEXT ASSY	USED ON	DO NOT SCALE DRAWING					SCALE: 1:50 WEIGHT:
APPLICATION							SHEET 1 OF 1